

COLLECTION 1262

GOTHIC



MAISON VERVLOET

SINCE 1905

HANDMADE FOR HANDS



KEY / CYLINDER
ESCUTCHEON 2



ROSE 2



DOORSTOP 13



OLIVE 1262 ON
ROSE 2



THUMB TURN 1262
ON ROSE 2



FURNITURE KNOB 1527



LEVER HANDLE 1262 ON ROSE 2



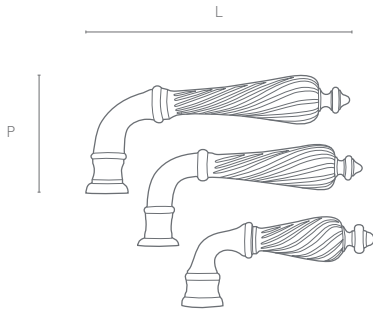
LEVER HANDLE 1262 (S/M/L)



LEVER HANDLE 1262 ON PLATE 1271

COLLECTION 1262

GOTHIC

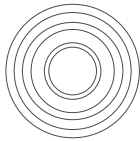


LEVER HANDLE 1262

Lever Handle S : 105 mm x 30 mm (LxP)

Lever Handle M : 120 mm x 30 mm (LxP)

Lever Handle L : 160 mm x 30 mm (LxP)



ROSE 2

Rose : \varnothing 30 - 45 - 55 mm

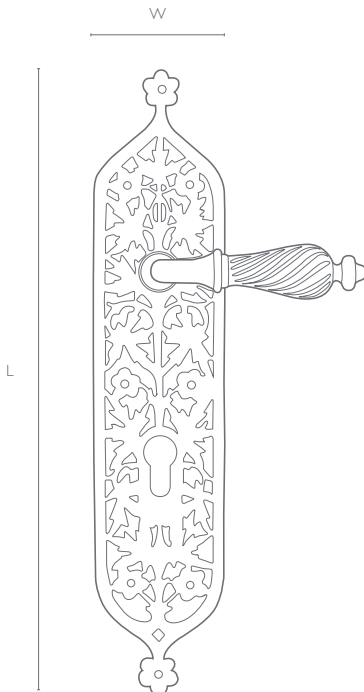


PLATE 1271

335 mm x 70 mm (LxW)

MAISON VERVLOET

SINCE 1905

HANDMADE FOR HANDS



Vervloet is an outstanding reference with more than a century of experience in the field of decorative hardware. Every piece of Vervloet's collection is moulded and cast in the purest bronzes and brasses, then chased and finished by highly qualified craftsmen. The company offers a vast range of possibilities. Thousands of models, result of several generations of master bronze craftsmen.

All the different stages of manufacturing (casting, chiseling, adjusting, polishing, gilding) have been integrated in Vervloet's workshop and are carried out by craftsmen for whom "art" still means something. Our process is in no way to be compared with the chain – worked industrial products.

Vervloet pieces produced are real jewels, each one finished by hand.



Rue de la Borne 78 | 1080 Brussels | Belgium
T +32 (0) 2 410 61 50 | F +32 (0) 2 410 63 81
info@vervloet.com | www.vervloet.com