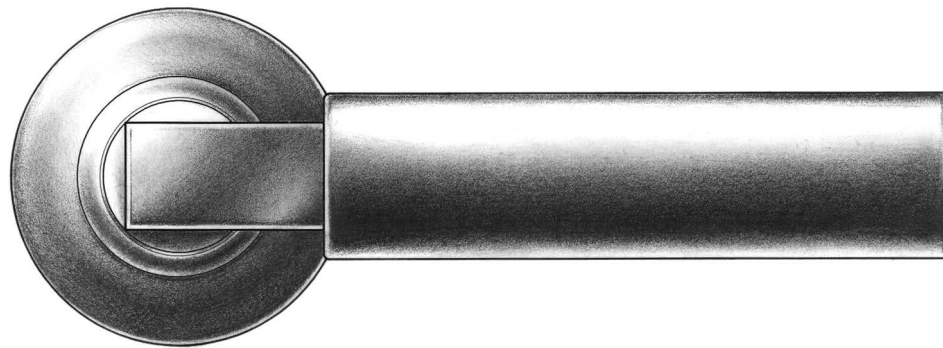
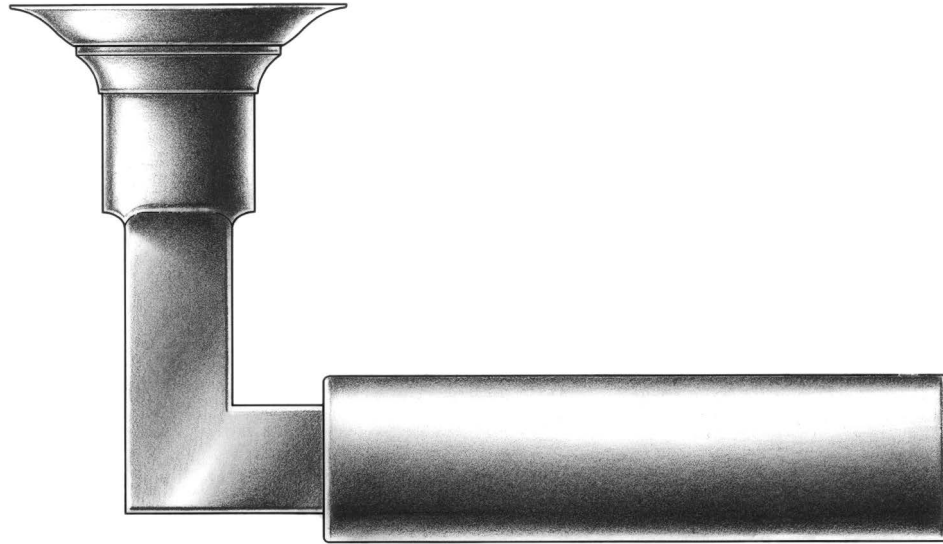


E. R. BUTLER & CO.



PREMIUM GRADE

ER "Bauhaus" Series Lever Handles and Roses

Square Shank with Standard Central Grip

Available in 5" (XL), 4 1/2" (L), and 4" (M) for Doors. (Size M Shown).

Also Available in 3 1/2" (S) and 3" (XS) for Screen Doors and Windows.

Universal Handing.

Solid Turned Brass Lever and Rose.

Standard, Custom Plated and Patinated Finishes Available.

Full Scale

FINE ARCHITECTURAL, BUILDERS' AND CABINETMAKERS' HARDWARE